

Options



Swing-down bracket



swing-out LPG bracket



Dual wheel



Upward Exhaust Pipe I



Mast Lock



Super elastic solid tires



Cabin



Rain Guard(Standard:Acrylics; Option:Glass)



Climate controlled full cabin



Pre-cleaner engine air intake



Side shift



Hinged Fork



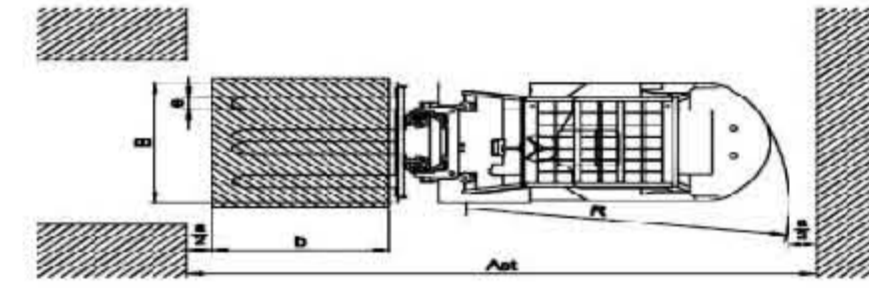
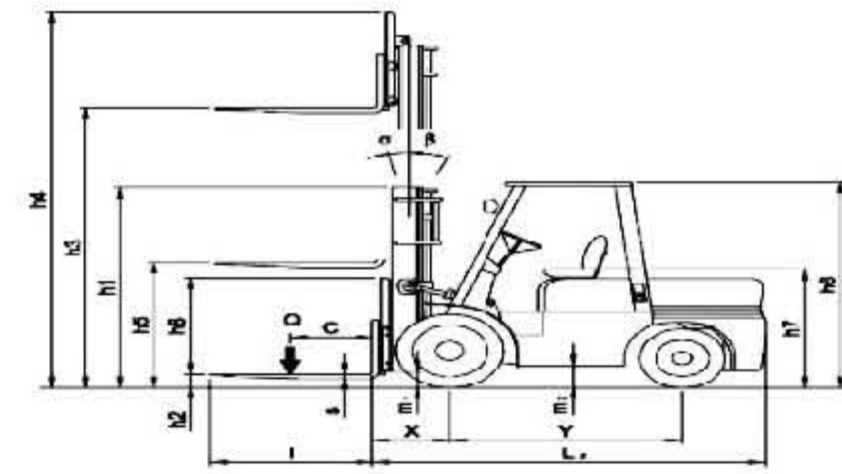
Rotating Fork



Shovel



Bale Clamp



$$A_{st} = X + R + b + a$$

$$b = \text{Load Length}$$

$$a = \text{Clearance}(200\text{mm})$$

Specification

CHARACTERISTICS	1 Manufacturer	2 Series	3 Model	Tailift		Tailift		Tailift		Tailift	
				9L PLUS	PFG20	PFG25	PFG25	PFG30	PFG30	PFG35	PFG35
4 Capacity	Q	Load	kg	2000	2500	3000	3500	500	500	500	500
5 Load center	C	Distance	mm	500	500	500	500	500	500	500	500
6 Power type		Electric - Diesel - Gasoline - LPG		Diesel	Gasoline/LPG	Diesel	Gasoline/LPG	Diesel	Gasoline/LPG	Diesel	Gasoline/LPG
7 Operation type		Pedestrian - Stand - Sit	mm	Sit	Sit	Sit	Sit	Sit	Sit	Sit	Sit
8 Tire type		S=Solide,P=Pneumatic	front/rear	P / P	P / P	P / P	P / P	P / P	P / P	P / P	P / P
9 Wheels (X:driven)		Number	front/rear	2X / 2	2X / 2	2X / 2	2X / 2	2X / 2	2X / 2	2X / 2	2X / 2
10	h3	Lift	mm	3000	3000	3000	3000	3000	3000	3000	3000
11 Lift at 2-stage mast	h2	Standard free lift	mm	0	0	0	0	0	0	0	0
12	h5	Optional free lift	mm	745	745	745	745	745	745	745	745
13 Load bracket	h8	Height of load bracket	mm	1220	1220	1220	1220	1220	1220	1220	1220
14 Fork size		Thickness(s)×Width(e)×Length(l)	mm	40x122x1070	40x122x1070	45x122x1070	50x122x1070	45x122x1070	50x122x1070	45x122x1070	50x122x1070
15 Mast tilting angle		Forward(α) / Back(β)	deg	6° / 12°	6° / 12°	6° / 12°	6° / 12°	6° / 12°	6° / 12°	6° / 12°	6° / 12°
16	L2	Length to face of forks	mm	2600	2600	2760	2885	2600	2600	2760	2885
17	B	Total width	mm	1152/1562	1152/1562	1271/1681	1271/1681	1152/1562	1152/1562	1271/1681	1271/1681
18	h1	Mast height lowered	mm	2000	2000	2000	2000	2000	2000	2000	2000
19 overall dimitions	h4	Mast height extended(w/o bracket)	mm	3720	3720	3720	3720	3720	3720	3720	3720
20	h4	Mast height extended	mm	4220	4220	4220	4220	4220	4220	4220	4220
21	h6	Overhead guard height	mm	2130	2130	2170	2170	2130	2130	2170	2170
22	h7	Seat height	mm	1130	1130	1140	1140	1130	1130	1140	1140
23 Turning radius	R		mm	2230	2230	2400	2600	2230	2230	2400	2600
24 Load distance	X	From center of front axle	mm	500	500	515	515	500	500	515	515
25 Aisle width	Ast	For load 800x1200/1000x1200	mm	3730 / 3930	3730 / 3930	3915 / 4115	4115 / 4315	3730 / 3930	3730 / 3930	3915 / 4115	4115 / 4315
26		number	front/rear	2/2	2/2	2/2	2/2	2/2	2/2	2/2	2/2
27 Tire size		front	mm	7.00-12-12P.R.	7.00-12-12P.R.	8.15-15-12P.R.	8.15-15-14P.R.	7.00-12-12P.R.	7.00-12-12P.R.	8.15-15-12P.R.	8.15-15-14P.R.
28		rear	mm	6.00-9-10P.R.	6.00-9-10P.R.	6.50-10-10P.R.	6.50-10-10P.R.	6.00-9-10P.R.	6.00-9-10P.R.	6.50-10-10P.R.	6.50-10-10P.R.
29 Wheelbase	Y		mm	1550	1550	1650	1850	1550	1550	1650	1850
30 Tread		Center of tires front	std/dual	mm	970(1344)	970(1344)	1055(1459)	1055(1459)	970(1344)	970(1344)	1055(1459)
		Center of tires rear		mm	985	985	985	985	985	985	985
31	m1	at lowest point	mm	120	120	120	120	120	120	120	120
32	m2	center of wheelbase	mm	195	195	220	220	195	195	220	220
33 Service brake		operation/control		Hydraulic	Hydraulic	Hydraulic	Hydraulic	Hydraulic	Hydraulic	Hydraulic	Hydraulic
34 Parking brake		operation/control		Hand	Hand	Hand	Hand	Hand	Hand	Hand	Hand
35		Type		95D31R(H) 65D26R(H)	95D31R(H) 65D26R(H)	95D31R(H) 65D26R(H)	95D31R(H) 65D26R(H)	95D31R(H) 65D26R(H)	95D31R(H) 65D26R(H)	95D31R(H) 65D26R(H)	95D31R(H) 65D26R(H)
36		voltage	V	12	12	12	12	12	12	12	12
37 Battery		capacity	Ah/5hr	64 52	64 52	64 52	64 52	64 52	64 52	64 52	64 52
38		Dimension(LxWxH)	mm	306x173x225 260x173x225	306x173x225 260x173x225	306x173x225 260x173x225	306x173x225 260x173x225	306x173x225 260x173x225	306x173x225 260x173x225	306x173x225 260x173x225	306x173x225 260x173x225
39		Weight	kg	22.6 17.4	22.6 17.4	22.6 17.4	22.6 17.4	22.6 17.4	22.6 17.4	22.6 17.4	22.6 17.4

* This is only for reference and not subject to notice in advance if there is any modification.

Engine

Model		PFD20-25	ISUZU	PFD20-35	YANMAR	NISSAN	PFG20-35	NISSAN	IMPCO
Manufacturer		ISUZU	ISUZU	YANMAR	YANMAR	NISSAN	NISSAN	NISSAN	IMPCO
Engine model		C240PKF-23	4JG2	4TNE94	4TNE98	K21	K25	K25	K25 NISSAN (LPG, Tier IV)
Speed	rpm	2750	2690	2450	2725	3200	3200	3200	2700
Output	Kw	34.3	44.9	34.2	44.1	31.2	37.4	37.4	44
Cylinders no. /displacement	No./L	4 / 2369	4/3059	4/3054	4/3319	4/2065	4/2488	4/2488	4/2488

Tailift Material Handling Taiwan CO., LTD.

No. 5, Zili 1st Road, Nankang Industrial Zone,
Nantou city 540, TAIWAN
TEL: +886-49-2263800
FAX: +886-49-2252919
Website: www.tailift.com.tw
E-mail: insales@tailift.com.tw



Tailift

9L Plus

2.0-3.5 Ton



9L Plus series / 2.0-3.5 ton

DIESEL / LPG / GASOLINE

Brand New Economy Truck Stable & Indurable



FUNCTION/PERFORMANCE



Multifunctional Instrument panel
Easy read instrument panel installs in between steering wheel and left front side wind shield. It display the status of forklift performance without interfering by steering wheel operations.



Internal hidden tilt cylinder
Internal tilt cylinder avoids and reduces scrape possibility. Enlarge access space and given better appearance.

Non-slip entry step
Large foot space and non-slip make the operator get on and get off the vehicle more easily.



Adjustable steering wheel column
Compact steering column panel is with streamline design. Provide flexible operations & great comfort.



Integral heavy duty chassis
A strong no-bolt integral heavy duty chassis gives the driver more protection from falling loads, suite for all kind working surface.

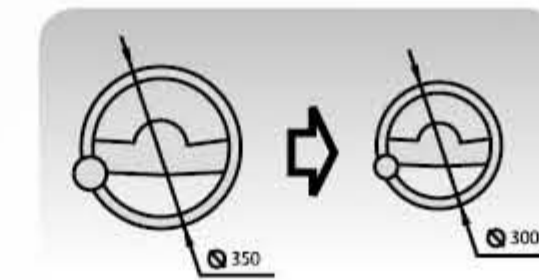


Comfortable seat (*option)
-Ergonomic sharp design and adjustable backrest
-Adjustable forward and reverse,
-Retractable safety belt
-Document bag



EASY AND SMOOTH TURNING

Smaller steering wheel + New rear axle



Smaller 300mm steering wheel easy to operate and reduce operator's arm and shoulder's workload.



The new axle provides wider steering angles to 80 degree and reduces to a smaller turning radius.

LED light

Independent front light, rear light and directional lights. Provide longer service life with much lower power consumption.



Hydraulic control levers

The mechanical-hydraulic control lever disposed at the front of the panel. The ergonomic headlines designed to help reduce the driver's arm fatigue.



Hand Brake

Hand brake is equipped with micro switch to avoid improper touch accidentally and to ensure the safety.



SPACIOUS OPERATION SPACE



Accelerate/Brake/ Inching pedal all configurations with ergonomic design. Wide-open foot space provides the comfortable foot activity space. It is about 30% wider than 7 series. The enlarged space give operator great comfortable and less stress, make the operator get on or get off the vehicle more easily.

ERGONOMICS

Clear view for operator



Excellent top view



Excellent rear view

Excellent front view



Excellent down view

Easy maintenance

- Engine hood using iron material. Features include heat-resistant, non-slip, scratch-resistant and the structure can withstand 450KG heavy weight.
- Engine hood with 70 degrees opening angles.
- Engine hood fix button easily opened and fixed, strong and durable
- The detachable foot pedal without bolts can be easily moved away without the tools.
- Compact fuse box for easy and quick inspection
- Easy change air cleaner



Engine



High performance low fuel consumption engines

The strong but low emission engine will satisfy the operators in any given circumstance, time and time again. New 9L Plus series using high performance and low fuel consumption engines include Isuzu, Yanmar and Nissan engines. All engines meet latest emission regulations.